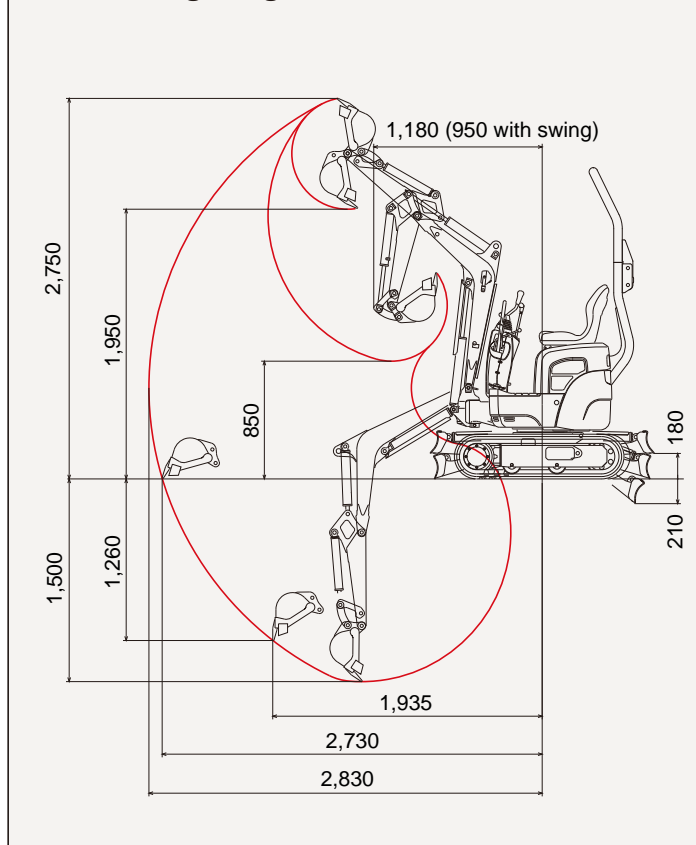
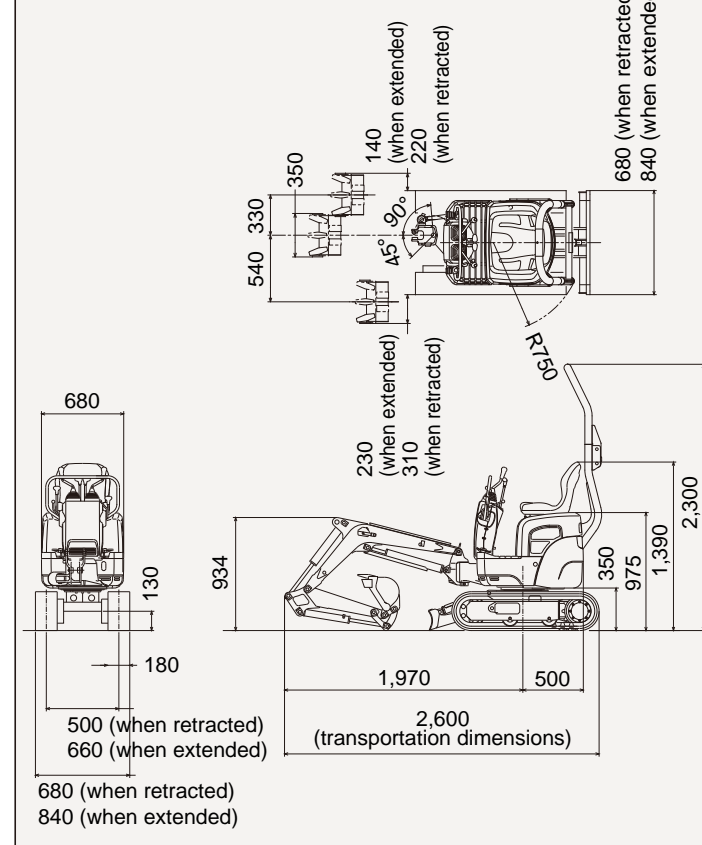


Working ranges (units: mm)



General dimensions (units: mm)



Main specifications

Model	SK008	
Weight		
Operating weight	kg	1,065
Bucket		
Standard bucket capacity	Heaped capacity	m ³ 0.022
	Struck capacity	m ³ 0.016
Standard bucket width	mm	350 (including side cutters)
Engine		
Model	YANMAR 2TE67L-BV3	
Type	Vertical type, water-cooled, 2-cylinder diesel engine	
Rated output	kW/min ⁻¹ {PS/rpm}	7.7/2,400 {10.5/2,400}
Fuel tank capacity	L	9.7
Performance		
Travel speed	km/h	1.8
Swing speed	min ⁻¹ {rpm}	8.4 {8.4}
Gradeability	% (degrees)	58 (30)
Maximum digging force (bucket)	kN {kgf}	10.5 {1,070}
Ground contact pressure	kPa {kgf/cm ² }	28.7 {0.29}

Standard equipment

- Rubber shoe
- Roll bar
- N&B piping

Note: This catalog may contain attachments and optional equipment that are not available in your area. And it may contain photographs of machines with specifications that differ from those of machines sold in your areas. Please consult your nearest KOBELCO distributor for those items you require. Due to our policy of continuous product improvements all designs and specifications are subject to change without advance notice. Copyright by KOBELCO CONSTRUCTION MACHINERY CO., LTD. No part of this catalog may be reproduced in any manner without notice.

KOBELCO CONSTRUCTION MACHINERY CO., LTD.

17-1, Higashigotanda 2-chome, Shinagawa-ku, Tokyo 141-8626 JAPAN
Tel:+81 (0) 3-5789-2146 Fax:+81 (0) 3-5789-2135
www.kobelco-kenki.co.jp/english_index.html

Blade		
Width x height	mm	(680/840) x 180
Working ranges	mm	Upper: 180 Lower: 210
Side ditch digging mechanism		
Type	Boom swing type	
Angle	degrees	Left: 45 Right: 90
Travel system		
Shoe type	Rubber crawler	
Shoe width	mm	180
Hydraulic system		
Hydraulic pump	Type	Gear pump
	Set pressure	MPa {kgf/cm ² } 18.1 {185}
Swing motor type	Orbit motor	
Travel motor type	Variable displacement axial piston motor	
Hydraulic oil	L	System 10.7 (oil in tank 5.7)

The International System of Units, SI is used as units and values in { } are values in conventional units.

Inquiries To:

KOBELCO

SK008

MINI EXCAVATOR

680mm

840mm

Another step forward



We Save You Fuel
Achieving a Low-Carbon Society

Another
step
forward



New! The super mini SK008 – a new dependable rising star in the 0.8 ton class.

The most important factor affecting the value of a machine in the 0.8 ton class is its ability to work in narrow spaces.

The Kobelco SK008 can enter and work efficiently in even narrower passages than ever before.

This new super-compact excavator is a dependable partner for work in residential areas where there are many space restrictions.

Sixty-eight centimeters crawler width – the smallest in its class

A retracted crawler width allows the machine to enter narrower passages.

The slim 680 mm of machine width at the travel position allows this machine to pass through gates approximately 70 cm wide.

Equipped with a crawler extension/retraction mechanism as standard.



- Easily change the dozer blade width. Fasten securely without tools, simply by removing and inserting the pin.

72.5 centimeters tail swing radius – helpful in small spaces

The tail overhang when swinging is only 30.5 cm. This allows smooth work even right next to a wall.

Tail swing radius
72.5cm

Tail overhang
30.5cm



Maximum 310 mm outside-crawler digging width

A boom swing type is used, providing a maximum 310 mm digging width outside the left crawler (crawler retracted) when the boom is swung 90 degrees to the right. This allows smooth digging of side ditches and next to walls.

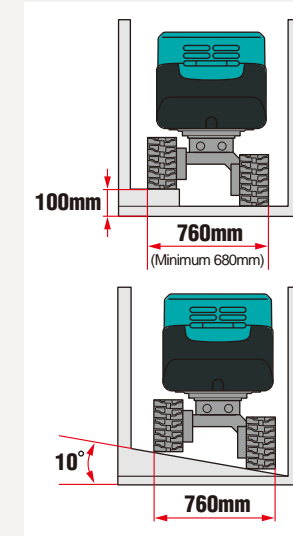


Photo shows the crawler extended.

Reinforced structure that can handle hard work

- Cast bucket link

Adjustable crawler height



The variable crawler allows the left and right tracks to raise and lower independently to correct the machine's angle on slopes or steps. This small, slim unit enters easily into tight areas.

Tracks raise to 100mm for stability on slopes or steps.

The latest low-emissions type engine

The SK008 mounts an engine that conforms to the voluntary emissions regulations of the Japan Land Engine Manufacturers Association.

10.5 kN powerful bucket digging force

The 7.7 kW high-output engine delivers 10.5 kN {1,070 kgf} of digging force – the top level of the class.

Equipped with a 0.022 m³ large-capacity bucket as standard.

The bucket is a size larger than the previous model standard bucket (0.018 m³), increasing the workload.

High stability that will impress the operator while working

Despite the compact body size, the SK008 delivers exceptional body balance. The outer flange-type lower rollers also help ensure high lateral stability.



Preventing damage to hydraulic cylinders and piping



Bucket cylinder hose inside the arm
Hose protection cover on back of boom
Boom cylinder protection cover
Dozer cylinder protection cover

Easy and time-saving maintenance



Easily visible warning lamps
Fully opening hood for large access space
Corrosion-resistant aluminum radiator
Fuel tank gauge that shows the fuel level at a glance
Easily checkable hydraulic oil tank gauge

Fuel filter that allows easy water drainage

Long-life hydraulic oil with a replacement cycle of 1,000 hours (Photo shows the hydraulic oil port.)

Ample legroom for the operator's seat

The flat floor provides an open foot space that is significantly larger than the previous model, for a different level of comfort.

* "Previous machine" indicates the SK007-6.