

**POWER SWIVEL SITE DUMPER****TA3.5SH****Specification**

Payload	3500 kg
Gross Engine Power	32.4 kW (43.5 hp)
Max Skip Capacity	1870 Litres

**Features**

- Large heaped skip capacity.
- “Rental Tough” design and fabrication to keep you working in the toughest of conditions.
- Thick steel skip base plate with reinforced box sections for high strength and longevity.
- Exceptional service access and ease of maintenance built into every machine.
- High ground clearance, low centre of gravity for superb stability and site accessibility.
- Powerful, reliable and economical Kubota engine.
- Power Swivel (PS) enables effective placement of load to either side - useful for trench filling or small sites.
- Hydrostatic drive for superior comfort and hill-climbing ability.

**TEREX®****Specifications**

<b>Performance</b>	
	TA3.5SH
Payload (kg)	3500
Unladen Weight (kg)	2620
Skip Capacity - Water (ltr)	1000
- Struck (ltr)	1500
- Heaped (ltr)	1870
Engine	Kubota V2203M
- Net Power - kW (hp)	32.4 (43.5)
- Displacement	2197 cc
- Maximum Torque	147 Nm
Tyre Size	11.5/80x15.3x8ply
Drive	2/2 hydrostatic - permanent 4WD
Max Travel Speed - mph (kph)	11.8 (19.0)
Gradeability	25 %
Fuel Tank Capacity	37 Litres
Hydraulic Tank Capacity	37 Litres

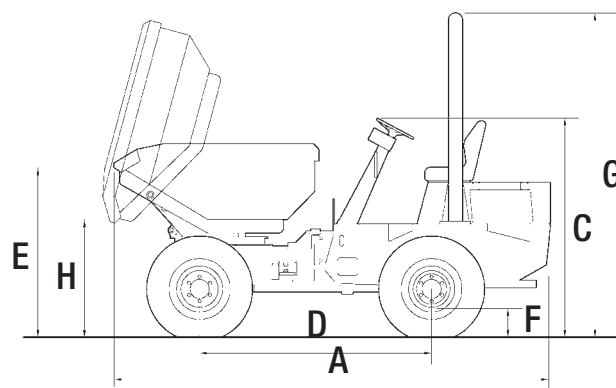
<b>Hydraulic System (Gear Pump)</b>	
	TA3.5SH
Flow rate	30 l/min
Operating Pressure	172 bar

<b>Braking System</b>	
	TA3.5SH
Working Brake	Oil immersed discs on front axle
Parking Brake	Over Centre Handbrake - Oil immersed discs front axle

<b>Electrical System</b>	
	TA3.5SH
Voltage	12 V
Battery	74 Ah
Alternator	55 A

## Dimensions

B = Overall Width (not shown)



### Dimensions (mm)

Dimensions (mm)		TA3.5SH
<b>A</b>	Total Length	3790
<b>B</b>	Total Width (not shown)	1840
<b>C</b>	Height to Top of Steering Wheel	1890
<b>D</b>	Wheelbase	1950
<b>E</b>	Height to Front Lip of Skip (untipped)	1530
<b>F</b>	Ground Clearance	242
<b>G</b>	Height to Top of ROPS (raised)	2690 (+200 over Beacon)
<b>H</b>	Height to Front Lip of Skip (tipped)	1130
	Turning Radius to Outside of Skip	4665 mm
	Steering Angle	± 30°
	Oscillation	± 10.5°
	Tipping Type	Swing

## Standard Equipment & Options

Standard Equipment
Folding ROPS Frame
Reversing Alarm
Flashing Beacon
Towing Bracket

Optional Equipment
Site Lights
Road Lights (RTA)
Rear View Mirror (standard in some markets)
Turf Tyres (11.5 / 15.3)
KOSRAN Anti-theft immobiliser
CESAR Datatag Security
Leg Guard (standard in some markets)

Dealer

Effective Date: 01 December 2009. Product specifications and prices are subject to change without notice or obligation. The photographs and/or drawings in this document are for illustrative purposes only. Refer to the appropriate Operator's Manual for instructions on the proper use of this equipment. Failure to follow the appropriate Operator's Manual when using our equipment or to otherwise act irresponsibly may result in serious injury or death. The only warranty applicable to our equipment is the standard written warranty applicable to the particular product and sale and Terex makes no other warranty, express or implied. Products and services listed may be trademarks, service marks or trade-names of Terex Corporation and/or its subsidiaries in the USA and other countries. All rights are reserved. Terex® is a registered trademark of Terex Corporation in the USA and many other countries. © 2009 Terex Corporation. ♻️ Printed on material using 55% recycled fibre from both pre and post-consumer sources, together with 45% virgin ECF fibre from sustainable forests. TEREX517UK

TEREX Construction  
Central Boulevard, ProLogis Park, Coventry, England CV6 4BX  
Tel +44 (0) 2476 339400 Fax +44 (0) 2476 339500  
Email enquiries@terexce.com www.terex.co.uk

