

GEOSCAN

GEOSCAN is remote monitoring system for ACERA GEOSPEC Series excavators.



ACERA Hydraulic Excavators GEOSPEC

SK135SR SK135SRLC

- Bucket Capacity:
0.5 m³ ISO heaped
- Engine Power:
69.2 kW/2,000 min⁻¹ (ISO 9249)
74 kW/2,000 min⁻¹ (ISO 14396)
- Operating Weight:
13,600 kg – SK135SR
13,800 kg – SK135SRLC



Endless Evolution

KOBELCO fuel economy just keeps getting better. The “Three E’s” concept that gave birth to the Acera Geospec series (Enhancement, Economy, Environment) has been further refined to minimize fuel consumption to incredible new lows, and create a new breed of hydraulic excavator on the cutting edge of performance. The SK135SR/SK135SRLC meets increasingly stringent environmental demands while delivering revolutionary, next-generation operation. To offset the cost of reducing the machine’s environmental impact, we’ve cut running costs in quick response to modern needs. Through our endless evolution of fuel economy, we continue to create value for our customers, the KOBELCO way.

We Save You Fuel
Achieving a Low-Carbon Society

More Work with Less Fuel!

ECO-mode Great leap forward in energy-saving performance

Fuel consumption (L/h) **21%** decrease

Work volume per liter of fuel (m³/L) **19%** increase

*The value shows when compared with previous model.

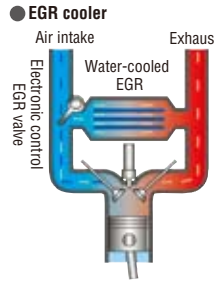
ECO-mode

Work modes for a closer match to the job in hand. An addition to the existing H-mode and S-mode, the new ECO-mode saves even more energy.



PM and NOx Emissions Cut

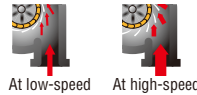
The new electronic-control common-rail engine is fitted with an EGR cooler, DP filter which deliver high output from optimized combustion and greatly reduce PM and NOx emissions.



DP filter
Carbon builds up as soot on the DP filter and is burned off at high temperature.



VG turbocharger
The VG turbo adjusts air intake to maximize combustion efficiency.



Rear View Camera

A rear view camera is installed as standard to simplify checking for safety behind the machine. The picture appears on the color monitor.



iNDr



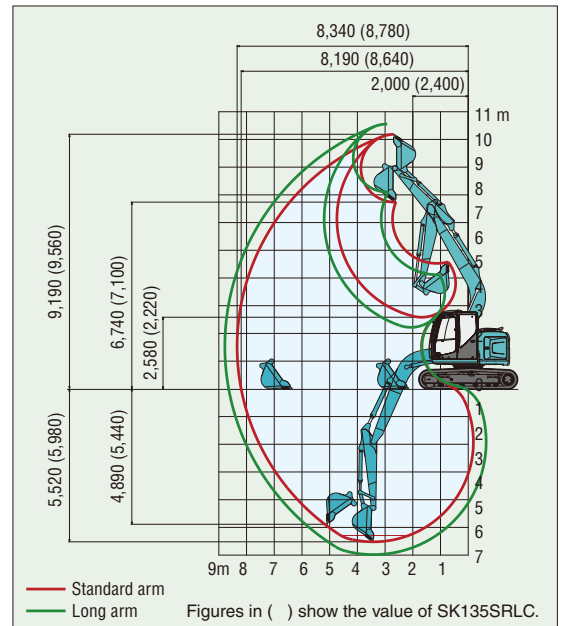
KOBELCO's proprietary iNDr Cooling System ensures quiet operation, protection from dust, and easy maintenance.

SPECIFICATIONS

Model	SK135SR	SK135SRLC
Type	SK135SR-3	SK135SRLC-3
PERFORMANCE		
Bucket Capacity ISO heaped	m ³	0.5
Swing Speed	min ⁻¹	11.0
Travel Speed	km/h	5.6/3.4
Gradeability	%	70
Bucket Digging Force	kN	90.1
Arm Crowding Force	kN	64.4
Drawbar Pulling Force	kN	138
WEIGHT		
Operating Weight	kg	13,600
Ground Pressure	kPa	43
Shoe Width	mm	500
ENGINE		
Model	MITSUBISHI D04EG-WDP3TAAC2-5	
Type	Direct injection, water cooled, 4-cycle, 4-cylinder diesel engine with turbocharger, intercooler	
Power Output	kW/min ⁻¹	69.2/2,000 (ISO 9249), 74/2,000 (ISO 14396)
Max. Torque	N-m/min ⁻¹	359/1,600 (ISO 9249), 372/1,600 (ISO 14396)
Displacement	L	3.331
Fuel Tank	L	200
HYDRAULIC SYSTEM		
Pump	Two variable displacement pumps + one gear pump	
Max. Discharge Flow	L/min	2 x 130, 1 x 20
Relief Valve Setting	MPa	34.3
Swing Motor	Axial piston motor	
Travel Motors	2 x axial-piston, two-step motors	
Hydraulic Oil Tank	L	126.7: system (85.2: tank level)

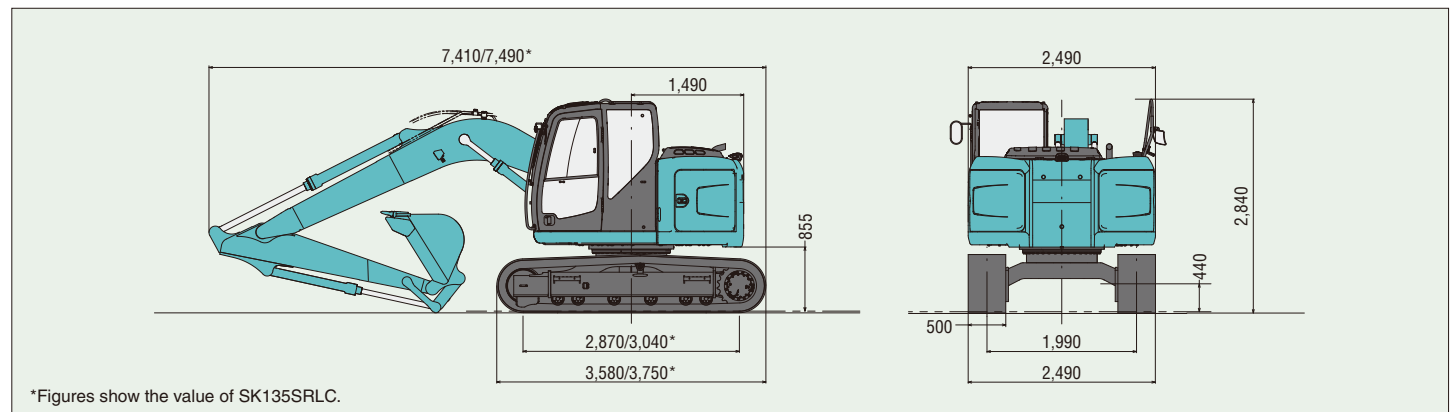
WORKING RANGES

Unit: mm



GENERAL DIMENSIONS

Unit: mm



Note: This catalog may contain attachments and optional equipment that are not available in your area. And it may contain photographs of machines with specifications that differ from those of machines sold in your areas. Please consult your nearest KOBELCO distributor for those items you require. Due to our policy of continuous product improvements all designs and specifications are subject to change without advance notice.

Copyright by **KOBELCO CONSTRUCTION MACHINERY CO., LTD.** No part of this catalog may reproduce in any manner without notice.

KOBELCO CONSTRUCTION MACHINERY CO., LTD.

17-1, Higashigotanda 2-chome, Shinagawa-ku, Tokyo 141-8626 JAPAN
Tel: ++81 (0) 3-5789-2146 Fax: ++81 (0) 3-5789-2135
www.kobelco-kenki.co.jp/english_index.html

Inquiries To:

KOBELCO is the corporate mark used by Kobe Steel on a variety of products and in the names of a number of Kobe Steel Group companies.